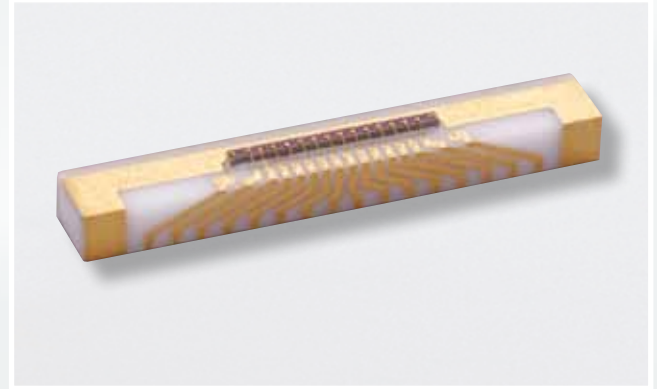


# FCI-InGaAs-XXM

## High Speed InGaAs Arrays

FCI-InGaAs-XXM series with 4, 8, 12 and 16 channels are parts of OSI Optoelectronics's high speed IR sensitive photodetector arrays. Each AR coated element is capable of 2.5Gbps data rates exhibiting high responsivity from 1100nm to 1620nm. FCI-InGaAs-XXM, which comes standard on a wraparound ceramic submount, is designed for multichannel fiber applications based on standard 250mm pitch fiber ribbon. Also, board level contacts of 500mm make it easy to connect to your circuit.



### APPLICATIONS

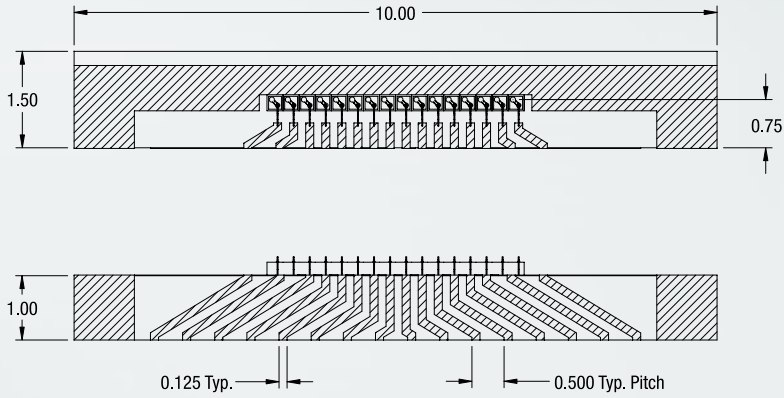
- High Speed Optical Communications
- Single/Multi-Mode Fiber Optic Receiver
- Gigabit Ethernet/Fibre Channel
- SONET/SDH, ATM
- Optical Taps

### FEATURES

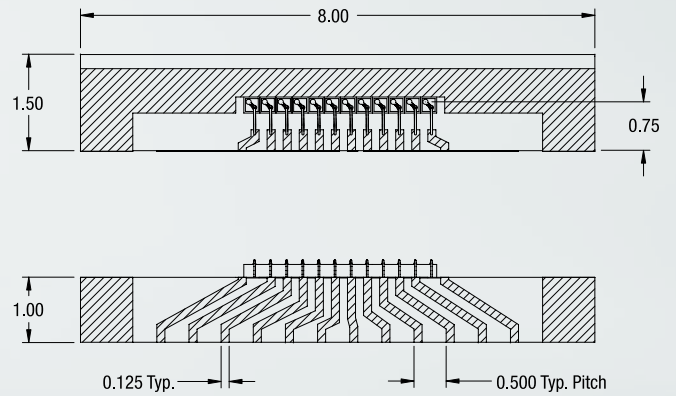
- High Speed
- High Responsivity
- Low Noise
- Spectral Range 900nm to 1700nm

Electro-Optical Characteristics				$T_A = 23^\circ\text{C}, V_R = 5\text{V}$	
PARAMETERS	FCI-InGaAs-4M	FCI-InGaAs-8M	FCI-InGaAs-12M	FCI-InGaAs-16M	
Active Area Diameter	75 $\mu\text{m}$ , Pitch:250 $\mu\text{m}$				
Responsivity	Typ. 0.95A/W @1550nm				
Capacitance	Typ. 0.65pF				
Dark Current	Typ. 0.03nA				
Max. Reverse Voltage	20V				
Max. Forward Current	5mA				
Bandwidth	Typ. 2.0GHz @ 1550nm				
Breakdown Voltage	Typ. 50V				
Storage Temperature Range	From -40 to 85°C				
Operating Temperature Range	From 0 to 70°C				

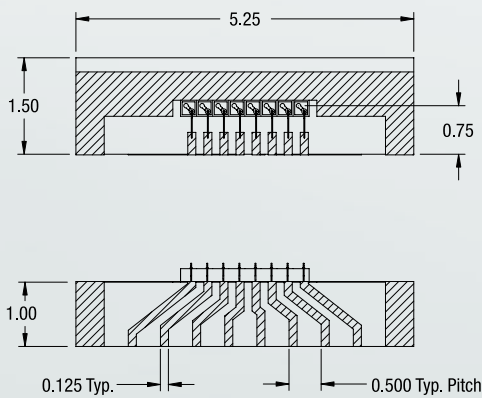
**FCI-InGaAs-16M**



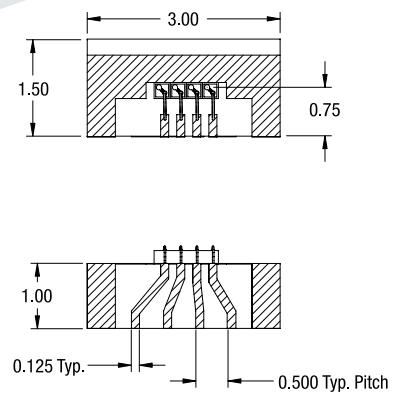
**FCI-InGaAs-12M**



**FCI-InGaAs-8M**



**FCI-InGaAs-4M**



**Notes:**

- All units in millimeters.
- All devices are mounted with low out gassing conductive epoxy with tolerance of  $\pm 25\mu\text{m}$ .